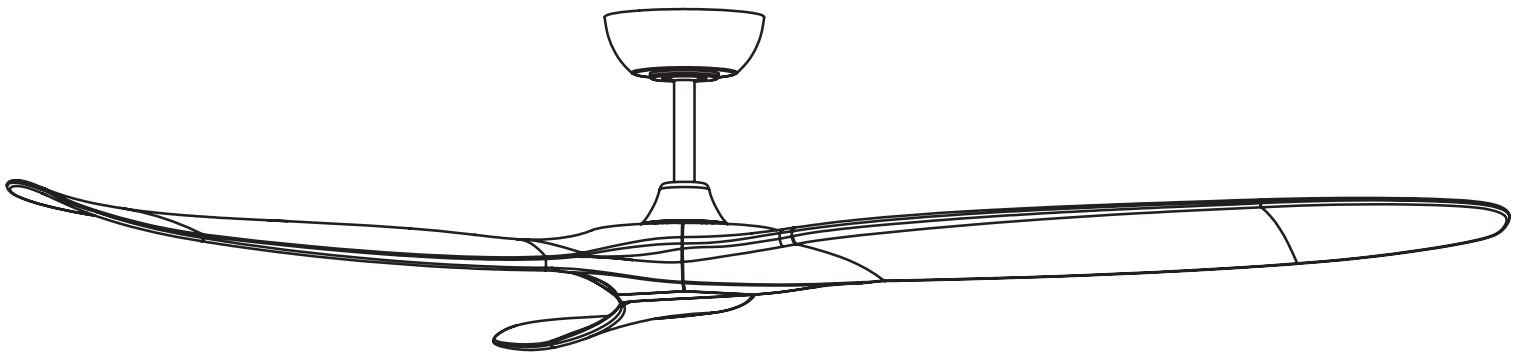


**ThreeSixty**  
C E I L I N G F A N S



# TIMBR DC

**72" (183 cm) DC Ceiling Fan with timber blades**

Model No. TIM72\*\*

**Net Weight:** 9 kg

*\*\* denotes colour on box*

## **Owner's Manual**

Please read and keep these instructions as they contain assembly, warranty, maintenance and service information.

---

**Version:** 1.0  
**Date:** June 2021

# ThreeSixty Ceiling Fans

## Fan Technology That's Innovative and Reliable

ThreeSixty Ceiling Fans is proud of its range of ceiling fans, accessories and lighting products. We believe these are the leading products in their category, reflecting over 40 years collective Australian experience in design, development, manufacturing and distribution of electronics and electrical equipment.

The TIMBR (pronounced TIMBER) ceiling fan is a sleek and stylish cooling solution designed to make a statement, available in multiple motor and blade finishes to complement the latest interior design trends within Australia. The TIMBR's blades are carved out of Paulownia timber, which is a light-weight, moisture-resistant and highly renewable plantation timber. Each blade is hand finished to accentuate the unique natural character of the timber grain. The TIMBR DC ceiling fan is available in an impressive 72 inch blade span for sweeping airflow, ideal for large master bedrooms and living areas. Utilising the latest DC motor technology, the TIMBR provides highly efficient cooling with a remote control that offers convenient functions.

Our manufacturing is subject to strict quality control and we back our products with a plain-English warranty. Any problem caused by a fault in the product will be fixed or replaced with the least possible inconvenience.

We welcome feedback and suggestions. By listening to our customers we aim to continuously improve our products and services.

---

### Electricians and installers:

We are here to help you. Please call our support line if you have any questions or need assistance with installing or wiring the product.

### Customers and purchasers:

Please call us if you have any questions about your fan or would like advice on the best way to use your fan to save energy.

**ThreeSixty Fans Support** can be contacted by calling **1300 469 326**, visiting our website at **<https://360fans.com.au>** or emailing our team at **[support@360fans.com.au](mailto:support@360fans.com.au)**

## Important Safety Instructions

**WARNING: To avoid fire, shock and serious personal injury, follow these instructions.**

1. Read your owner's manual and safety information before installing your new fan. Review the accompanying assembly diagrams.
2. Before servicing or cleaning unit, switch power off at fuse box / circuit breaker and lock box (disconnecting means to prevent power from being switched on accidentally).
3. Be careful of the fan and blades when cleaning, painting, or working near the fan. Always turn off the power to the ceiling fan before servicing.
4. Do not insert anything into the fan blades while the fan is operating.
5. Do not operate reversing switch until fan blades have come to a complete stop.
6. Do not dispose of electrical appliances as unsorted municipal waste, use separate collection facilities.
7. Contact your local government for information regarding the collection systems available.
8. If electrical appliances are disposed of in landfills or dumps, hazardous substances can leak into the groundwater and get into the food chain, damaging your health and well-being.
9. This appliance is not intended for use by persons (including children) with reduced physical, sensory or mental capabilities, or lack of experience and knowledge, unless they have been given supervision or instruction concerning use of the appliance by a person responsible for their safety.
10. Children should be supervised to ensure that they do not play with the appliance.

---

## Additional Safety Instructions

1. To avoid possible shock, be sure electricity is turned off at the fuse box before wiring, and do not operate fan without blades.
2. All wiring and installation procedures must comply with AS/NZS 3000 Wiring Rules and any other local regulations. The ceiling fan must be grounded as a precaution against possible electrical shock. Electrical installation **must be made by a licensed electrician**.
3. The fan base must be securely mounted and capable of reliably supporting at least **four times the weight of the ceiling fan**. The installation and replacement of the suspension system must be completed by the manufacturer, its service agent or a suitably qualified person.
4. The fan must be mounted with the fan blades at least 2.1 meter (lowest edge) from the floor to comply with safety regulations and to prevent accidental contact with the fan blades.
5. Follow the recommended instructions for the proper method of wiring this ceiling fan.
6. **This fan must be installed with an isolation switch or a device to disconnect all poles.**

**WARNING:** This product is designed to use only those parts supplied with this product and/or accessories designated specifically for use with this product. Using parts and/or accessories not designated for use with this product will void your warranty and could result in personal injury or property damage.

**WARNING:** Do not insert foreign objects in between rotating fan blades.

**WARNING:** This fan MUST be installed with an easily accessible isolating device to disconnect all poles of the fan from the main supply.

**WARNING:** If unusual oscillating movement is observed, immediately stop using the ceiling fan and contact the manufacturer, its service agent or suitably qualified persons.



**MUST BE INSTALLED  
BY A LICENSED  
ELECTRICIAN**

**IMPORTANT:** This product must be installed by a licensed electrician and comply with AS/NZS 3000 Wiring Rules and any other local regulations.

## Supplied parts

- One fan DC motor assembly
  - One hanger bracket fitted with terminal block
  - One top canopy
  - One set of blades and blade cover
  - One screw pack
  - One installation booklet
  - One remote control with preset remote receiver
- 

## Tools and materials required

- Phillips screwdriver
- Small electrical screwdriver
- Electrical pliers
- Step ladder
- Wiring supplies as required by current electrical practices
- If an extension rod is used it is supplied with an extension wiring loom

Before starting the assembly and installation of your fan please ensure the safety instructions have been read and understood.

---

## Installation issues, missing or damaged parts

If you have any difficulty installing your fan or if you are unfortunate enough to find that your fan has been dispatched with parts missing or damaged, please contact our help line on 1300 469 326. We will provide help and/or replacement parts to you immediately.

In any communication with us please quote your model number and finish (colour) of the unit, along with as much information on the missing or damaged part(s) as possible (see Page 5).

---

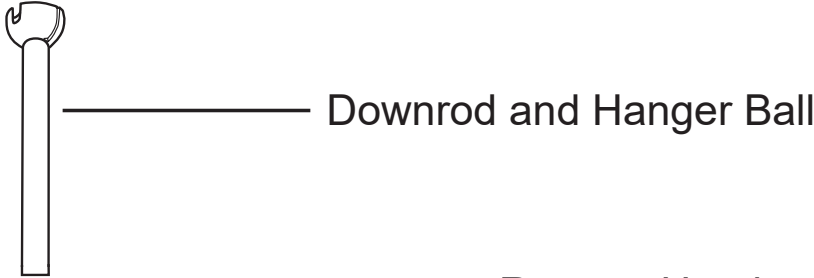
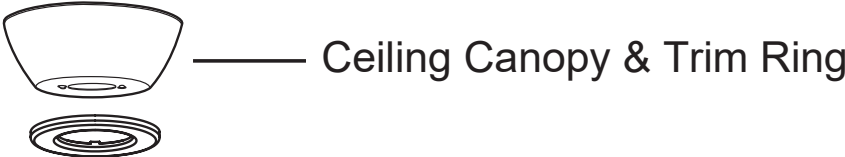
## Installing the fan

All electrical work should only be undertaken by a licensed electrician and after disconnection of the power by removing fuses or turning off the circuit breaker to ensure all poles isolation of the electrical supply.

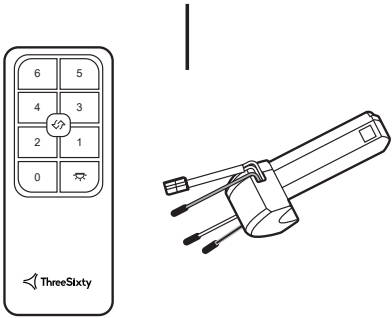
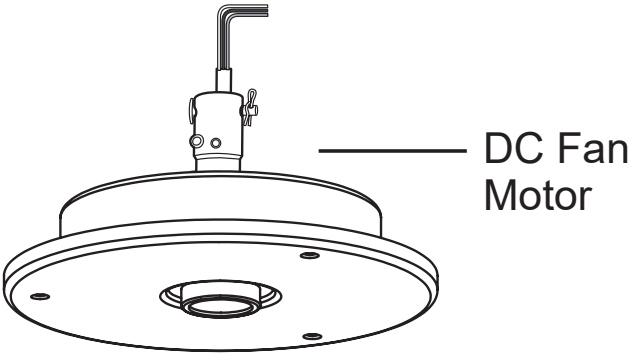
The following steps will guide you to a successful installation:

1. Hanger bracket installation
2. Assemble the ceiling canopy, downrod and motor assembly
3. Mount the fan motor and insert the remote receiver module
4. Complete the ceiling fan wiring
5. Install the ceiling canopy and ceiling canopy screw cover
6. Install the fan blades and bottom plastic cap with magnet

# Exploded Fan View & Parts



## Remote Handset and Remote Receiver



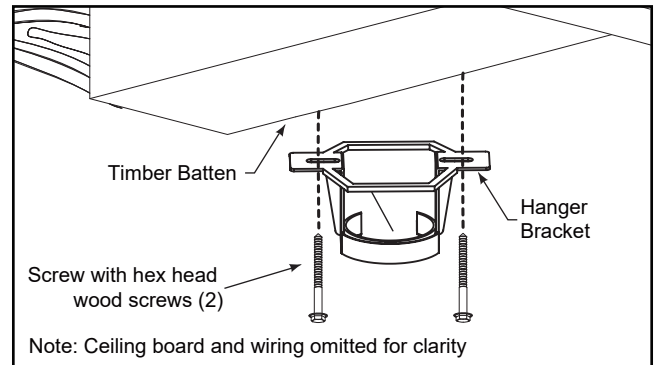
Blades



## 1. Hanger bracket installation

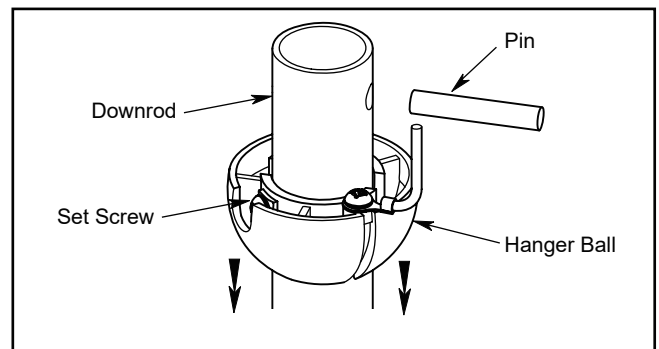
Drill a hole in the ceiling board and batten for wiring. Securely attach the hanger bracket to a timber batten or other structural support using appropriate fasteners.

**IMPORTANT:** The hanger bracket must be securely mounted and able to support up to four times the weight of the ceiling fan.

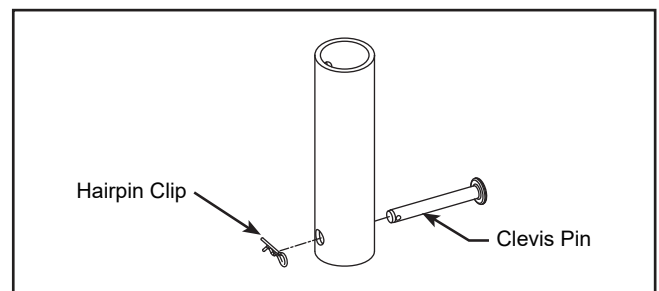


## 2. Assemble canopy, downrod and motor

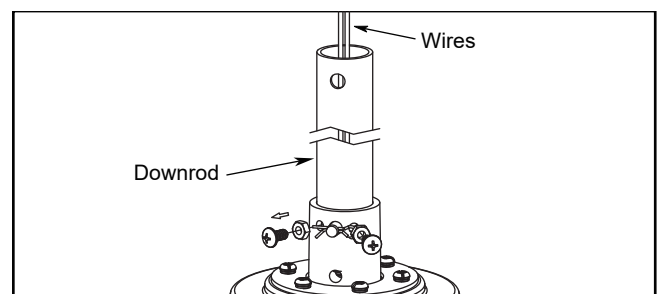
**Step 1:** Remove the Hanger Ball from the Downrod by loosening the Set Screw in the side of the Hanger Ball. Slide the Hanger Ball down the Downrod and remove the Pin. Remove and retain the Hanger Ball for use in Step 6.



**Step 2:** Remove the Hairpin Clip and Clevis Pin from the bottom of the Downrod. Retain the pin and clip for reinstallation in Step 4.

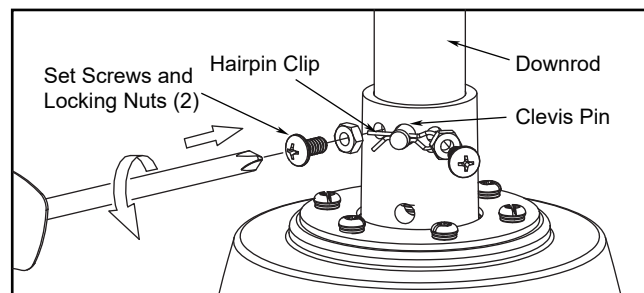


**Step 3:** Loosen the two setscrews and locking nuts in the downrod support of the motor assembly. Route the wires from the motor through the downrod.

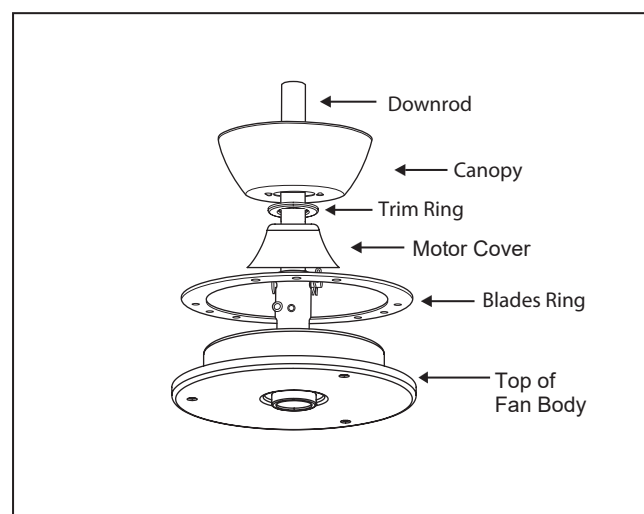


## 2. Assemble canopy, downrod and motor (cont'd)

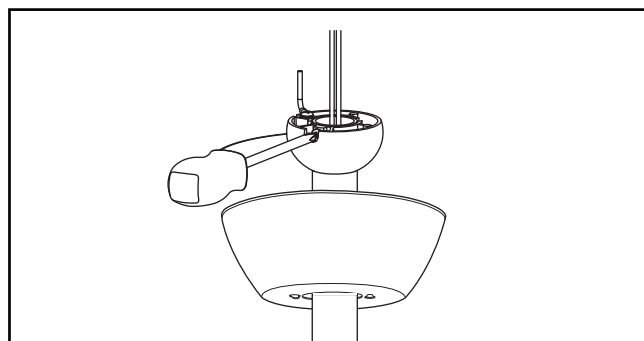
**Step 4:** Slide the downrod into the downrod coupler on top of the motor. Install the clevis pin by aligning the holes in the downrod support with the holes in the downrod. Secure the clevis pin with the hairpin clip. Tighten the two set screws with locking nuts in the downrod coupler.



**Step 5:** Route the wires and downrod through the Blades Ring, Motor Cover, Trim Ring and Ceiling Canopy.



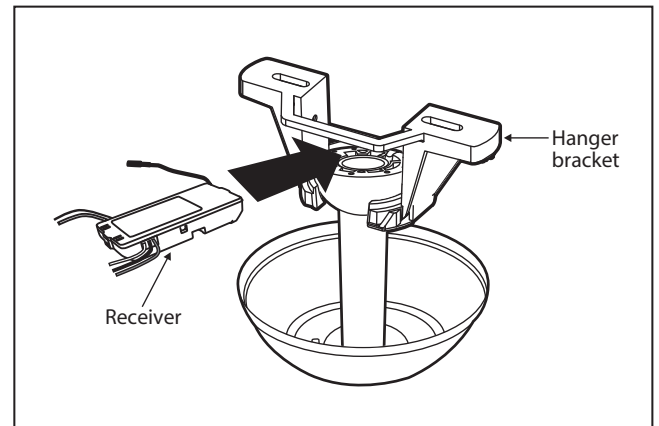
**Step 6:** Reinstall the hanger ball on the downrod. Route the wires through the hanger ball and slide the hanger ball down over the downrod. Position the pin through the two holes in the downrod and align the hanger ball so the pin is captured in the groove. Pull the hanger ball up tight against the pin and tighten the set screw in the hanger ball.



### 3. Mount fan and insert remote receiver

**Step 1:** Carefully lift the fan and seat the downrod/hanger ball assembly into the hanger bracket. Ensure the groove in the ball is lined up with the tab on the bracket.

**Step 2:** Slide the receiver unit into the hanger bracket before attempting to complete any wiring. The remote receiver unit includes wiring looms to connect to the ceiling fan and hanger bracket terminal block.





## 4. Remote receiver installation and wiring

### WIRING INSTRUCTIONS: Ensure power is safely isolated before attempting any wiring.

Your fan is supplied with a radio frequency remote control unit and the fan can only be controlled by remote control. **IMPORTANT** - This appliance must be earthed.

### EXPLODED WIRING DIAGRAM:

Provided for clarity and to help identify the correct wires only.

#### Step 1: Connect AC Power Supply to Terminal Block

Connect the AC household power supply wires from the ceiling to the Hanger Bracket's terminal block. Connect the **RED** active wire to the connection labeled 'L'. Connect the **BLACK** neutral wire to the connection labeled 'N'. Connect the **YELLOW/GREEN** earth wire coming from the house supply to the connection labeled with the **Earth** symbol on the Terminal Block.

Connect the **YELLOW/GREEN** earth wire coming from the house supply to the connection labeled with the **Earth** symbol on the Terminal Block.

#### Step 2: Connect Receiver to Terminal Block

Connect the **BLUE/BROWN** plug from the Terminal Block to the **BLUE/BROWN** plug from the Receiver. Connect one **YELLOW/GREEN** plug from the Terminal Block to the **YELLOW/GREEN** plug from the Receiver.

#### Step 3: Connect Receiver to Motor

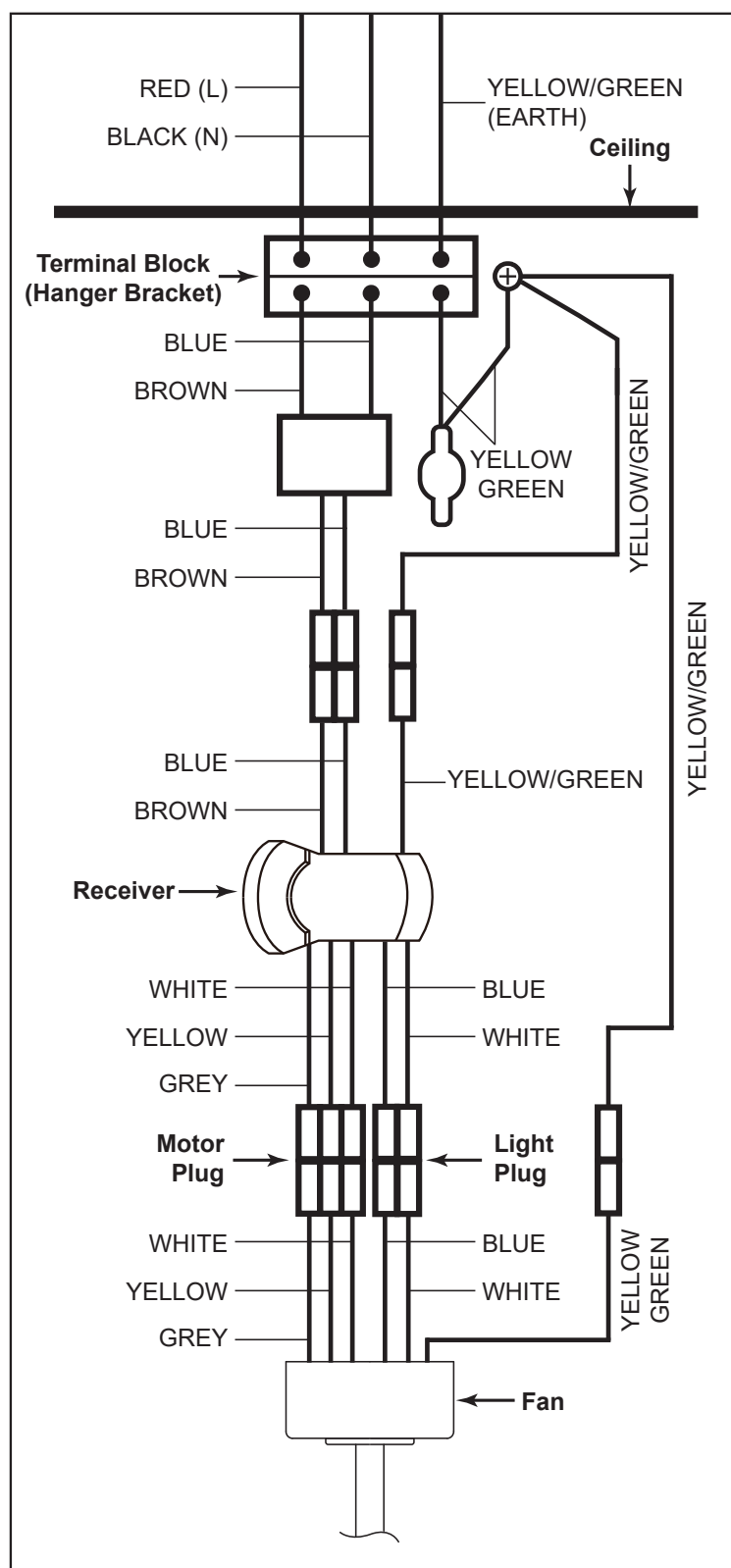
Connect the Motor Plug coming from the motor (**GREY/YELLOW/WHITE** wires) to the Receiver plug (**GREY/YELLOW/WHITE** wires).

#### Step 4: Connect Receiver to Light

Connect the Light Plug coming from the motor (**BLUE/WHITE** wires) to the Receiver module plug (**BLUE/WHITE** wires).

#### Step 5: Connect Earth Wire to Terminal Block

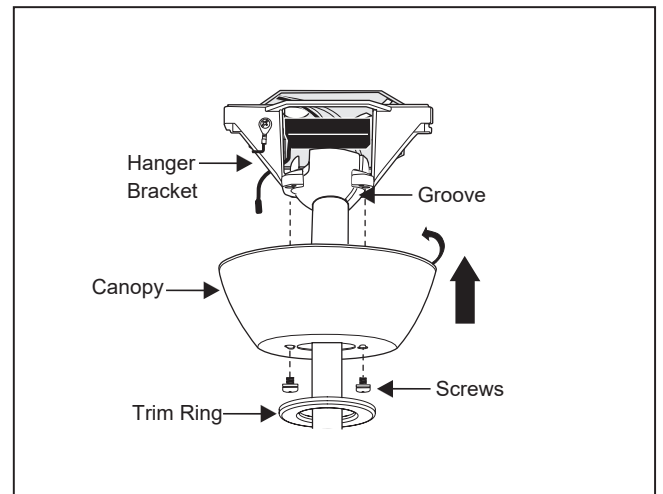
Connect the **YELLOW/GREEN** earth wire plug coming from the fan motor to the remaining **YELLOW/GREEN** plug coming from the Hanger Bracket.



## 5. Install the Ceiling Canopy and Screw Cover

**Step 1:** Lift the ceiling canopy up and over the hanger bracket, lining the key slot in the ceiling canopy over the remaining shoulder screw in the hanger bracket. Rotate the ceiling canopy to lock around the shoulder screw and then tighten the shoulder screw. Replace the second shoulder screw (removed earlier) and fully tighten.

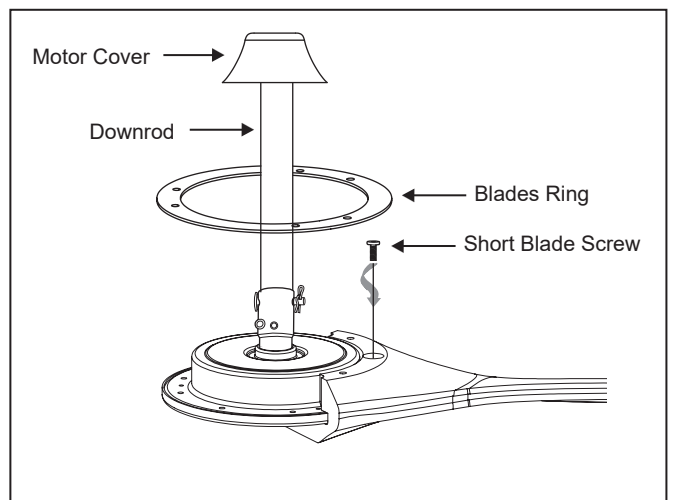
**Step 2:** Securely attach and tighten the ceiling canopy screw cover over the shoulder screw heads in the hanger bracket utilising the key slot twist-lock feature.



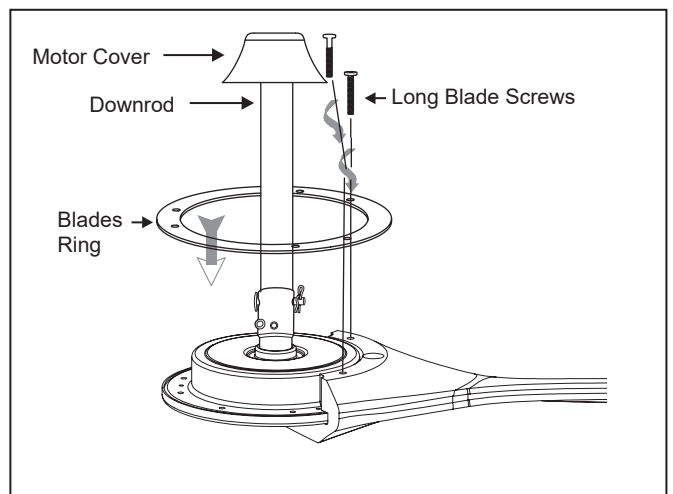
## 6. Install Blades

**NOTE:** Attach all three blades to the fan motor using the short blade screws without the Blade Ring to begin with.

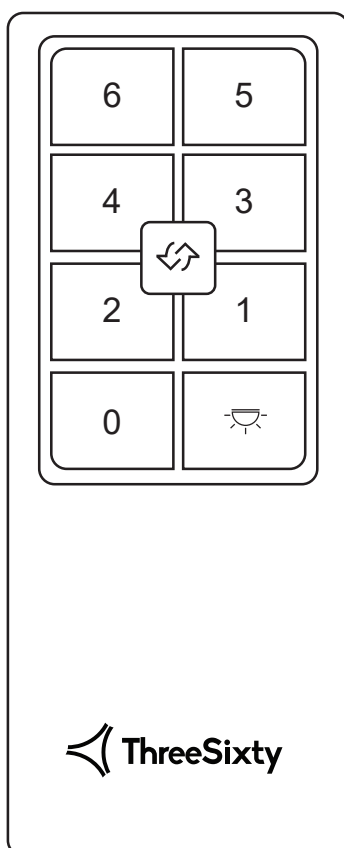
**Step 1:** Slide each Blade over the Motor, aligning the three holes in the Blade with the holes in the Motor. Attach the Blade to the Motor using ONE short blade screw in the middle of the Blade. Repeat for all three Blades.



**Step 2:** Slide the Blades Ring down over the Downrod and onto the Blades, aligning the holes in the Blades with the holes in the Blades Ring. Install the two long blade screws into each Blade through the Blade Ring.



## Operating the handset (transmitter)



Fan Speed: Press and release immediately to turn on and set fan speeds. Number 6 is the highest speed and Number 1 is the lowest.



Press to turn the fan off.



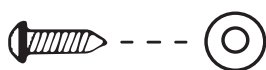
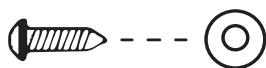
Fan light control. Press and release to switch light on/off or press and hold for dimming control.



Reverse button: Press and release immediately to set fan direction.

### Installing wall mounted holder

Attach wall mounted remote holder using the two screws provided.



Battery Replacement:  
1x 2032 3V

### Lithium Coin Cell Battery Warning

The remote control handset contains a lithium coin cell. If the battery is swallowed it can cause severe internal burns or lead to death within 2 hours. Keep new and used batteries away from children and dispose of them in a secure manner. Should the handset battery compartment become damaged immediately remove the battery and place it out of reach of children. If you suspect batteries may have been ingested, seek immediate medical attention and inform them of possible lithium battery ingestion.

## Learning / Pairing Setup

The handset and remote control receiver module are pre-programmed at the factory and do not normally require pairing. Should they not function when first installed, or you wish to control 2 fans using 1 handset, or you need to pair a replacement handset please follow the below procedure.

1. Ensure that AC power is isolated (switched off) to the ceiling fan.
2. Restore AC power to the fan. Within 30 seconds PRESS and HOLD the Fan Power button for 5 seconds.
3. The remote control receiver module will beep twice to indicate the pairing process was successful.

## Caring for and operating your remote control

Ensure the batteries are correctly installed in the hand piece. Please allow a moment between each switching operation. Please handle the transmitter with care, be sure not to drop or expose it to water, high humidity or place it too close to a heating element. Improper handling may result in malfunction and void the warranty. The remote control is operated by Radio Frequency so it isn't necessary to point the unit at the ceiling fan.

---

## Blade balancing

Whilst every precaution is taken at the factory to ensure your fan is of the highest quality, imbalance may occur. This may be due to slight irregularities in the blades or material densities. Further problems can be caused by deviating from these instructions.

The following procedure may help to rectify the situation.

1. The hanger bracket must always be tight against the ceiling so that no movement can occur.
  2. Make sure that the downrod is firmly locked into the hanger ball on top of the fan. The locking screw should be securely tightened.
  3. Check all the blades are firmly tightened onto the motor.
  4. Changing over two adjacent blades - may correct any imbalance causing wobble.
  5. Please note that drop rod style of fans have a slight level of movement but this is not dangerous. Longer drop rods may amplify the amount of wobble.
- 

## Care and cleaning

The motor has permanently sealed bearings so no lubrication is necessary.

Periodic cleaning of your new fan is recommended (particularly the blades). The plated or painted surfaces of your fan have been sealed with a lacquer to minimize any discoloration or tarnishing. Therefore use a soft brush or lint free cloth to avoid scratching the surface.

Do not use water or chemicals when cleaning your fan as this could damage the surfaces of the casing and the blades and may create the possibility of an electric shock.

# ThreeSixty Fans - Plain English Warranty Terms

**SHOULD THERE BE ANY INSTALLATION ISSUES OR DEFECTS PLEASE IMMEDIATELY CALL OUR SUPPORT HELP LINE ON 1300 469 326 FOR ASSISTANCE AND ADVICE. DO NOT ATTEMPT TO UNINSTALL OR REMOVE THE PRODUCT FROM THE CEILING UNLESS SPECIFICALLY ADVISED TO BY THREESIXTY FANS AS THIS WILL CAUSE DELAYS DIAGNOSING AND RESOLVING THE ISSUE.**

Our goods come with guarantees that cannot be excluded under the Australian Consumer Law. You are entitled to a refund or replacement for a major failure and for compensation for any other reasonably foreseeable loss or damage. You are also entitled to have the goods repaired or replaced if the goods fail to be of acceptable quality and the failure does not amount to a major failure.

## **Mechanical and Structural Components**

Your Product is covered against mechanical and structural defects that prevent it from working by a limited 36 month on-site warranty. This warranty covers only the product itself and excludes workmanship or materials related to its installation or any modifications. A major failure may be, for example, a motor defect preventing a product from operating shortly after it was first installed or if it was damaged while in the original packaging. If the product stops working due to a mechanical or structural defect within the first 36 months we will repair or replace the product at our discretion.

## **Electronic Components**

Your Product is covered against electronic defects that prevent it from working by a limited 12 month on-site warranty. This warranty covers only the electronics supplied with the product and excludes workmanship or materials related to its installation or any modifications. A major failure may be, for example, a power module that failed shortly after it was first installed or if it was damaged while in the original packaging. If the product stops working due to an electronic defect within the first 12 months we will repair or replace the electronic part at our discretion.

## **Compensation for reasonably foreseeable loss**

Compensation normally comprises us paying associated labour costs to replace the defective product if it's installed within a reasonable distance from our repair agent. If beyond a reasonable distance (30km) you can arrange your own electrician and we will compensate you for this up to a maximum of \$115.50 inc GST. Note, we do not pay extra for extended travelling time or additional costs when the job requires a longer than average time to complete.

To prevent or limit costs you may incur for service calls, you must notify us of the intention to use your own contractor and *not engage one until we have spoken to them* (to arrange parts that may be required). **If the problem is not a defect covered by our warranty terms you will have to pay all costs.** To reduce cost and inconvenience for all involved we will do our best to diagnose the fault and supply parts before the contractor visits the site.

## **Eligibility for In-Home Service Calls**

Hard wired electrical products must (by law) be installed by a licensed electrician. To obtain in-home warranty service **you must be able to provide a copy of the installing electricians invoice or the Certificate of Compliance given to you when the product was first wired up and tested.** If you cannot provide this information we limit our warranty to repair or replacement of the product at our workshop and you will bear the costs of removal, shipping to us and reinstallation. We will pay the freight to send the rectified unit back to you.

## **Access to products**

Products installed on ceilings 4m and above may require special access equipment or WH&S measures. All costs for this equipment must be borne by the site owner and the ceiling height given when booking a service call. If a service agent chooses not to access a product installed at height due to WH&S concerns the owner must remove and reinstall the product at their own expense.

## **Isolation Switches**

Australian Standards require our instructions to state an isolation switch must be fitted. This allows the product to be physically switched off in case of faults or to prevent damage from surges, lightning, etc. Emergency disconnection and/or remote control re-programming that can't be performed due to lack of an isolation switch is not covered by warranty.

# ThreeSixty Fans - Plain English Warranty Terms

## Commencement

The warranty period begins from date of purchase and in-home warranty service is available only at the site of original installation. If the product is installed as part of a project or development the warranty period commences when the product was delivered to the site.

## Damage

Damage from Force Majeure, electrical surges, wind, rain, lightning, power grid fluctuations, water ingress, condensation or use with incompatible power sources will not be rectified under warranty. Likewise solid state or dimmer type speed controls may damage ceiling fans or cause them to make unusual noises. Genuine parts and advice are available through our online and telephone support services.

## Cosmetic defects

Carefully inspect your product prior to installation and notify us as soon as possible if there are cosmetic defects. Cosmetic defects are generally not covered by warranty unless present when the product is initially unpacked. Damage from being struck by objects or not being kept clean is not covered by warranty.

## Corrosion

Deterioration of finishes, including rusting, pitting, corrosion, fading, tarnishing or peeling is not covered by warranty beyond six months. Products specified as corrosion resistant or made from Stainless Steel are not corrosion proof and will discolour or deteriorate if not cleaned. As a guide, maintain your product as you would your kitchen appliances (clean every 3 months).

## Noise

Signals sent through the power grid by the electricity supplier may cause intermittent noises in your product. These noises are not the result of a fault and filters to reduce this noise may be available at additional expense.

Clicking, ticking and creaking noises from fans are usually caused by the mounting bracket not being correctly attached or when blades screws are loose. Only use the hardware provided to install ceiling fans. If the mounting bracket is attached using counter-sunk screws it will work loose and cause unwanted noise and movement in your fan. Wooden bladed fans may need their blade screws periodically tightened. Unless a product is defective noise will not be rectified under warranty.

## Wobbling

Wobbling is generally not caused by a defective fan but by air currents in the room. After a fan has been running for a long period it will cause air currents to form and, depending on the shape of the room and its furnishings, the air returning to the fan may be uneven.

Improper mounting will also cause a fan to wobble. Every mounting bracket screw must be secured to solid materials in the ceiling. Metal C section rafters may need to be doubled to form a box section to prevent flexing. Foam sandwich ceiling panels will require reinforcing to stop flexing. Unless a product is defective wobbling will not be rectified under warranty.

## Airflow

The amount of airflow produced by a fan is dependent on where it's installed because room shape, mounting height and furnishings will affect the perceived air movement. A product is deemed to be functioning normally if it is running within 15% of the specified RPM when installed.

**Purchase Date:** \_\_\_\_\_

**Seller Name:** \_\_\_\_\_

**Product Model:** \_\_\_\_\_

**Installed By:** \_\_\_\_\_

**License Number:** \_\_\_\_\_

**Contact number:** \_\_\_\_\_

**Light Model:** \_\_\_\_\_

**Remote Control:** \_\_\_\_\_

**Ceiling Height:** \_\_\_\_\_

**Isolation Switch:**      Yes      No