

Ambience DC Wall Control

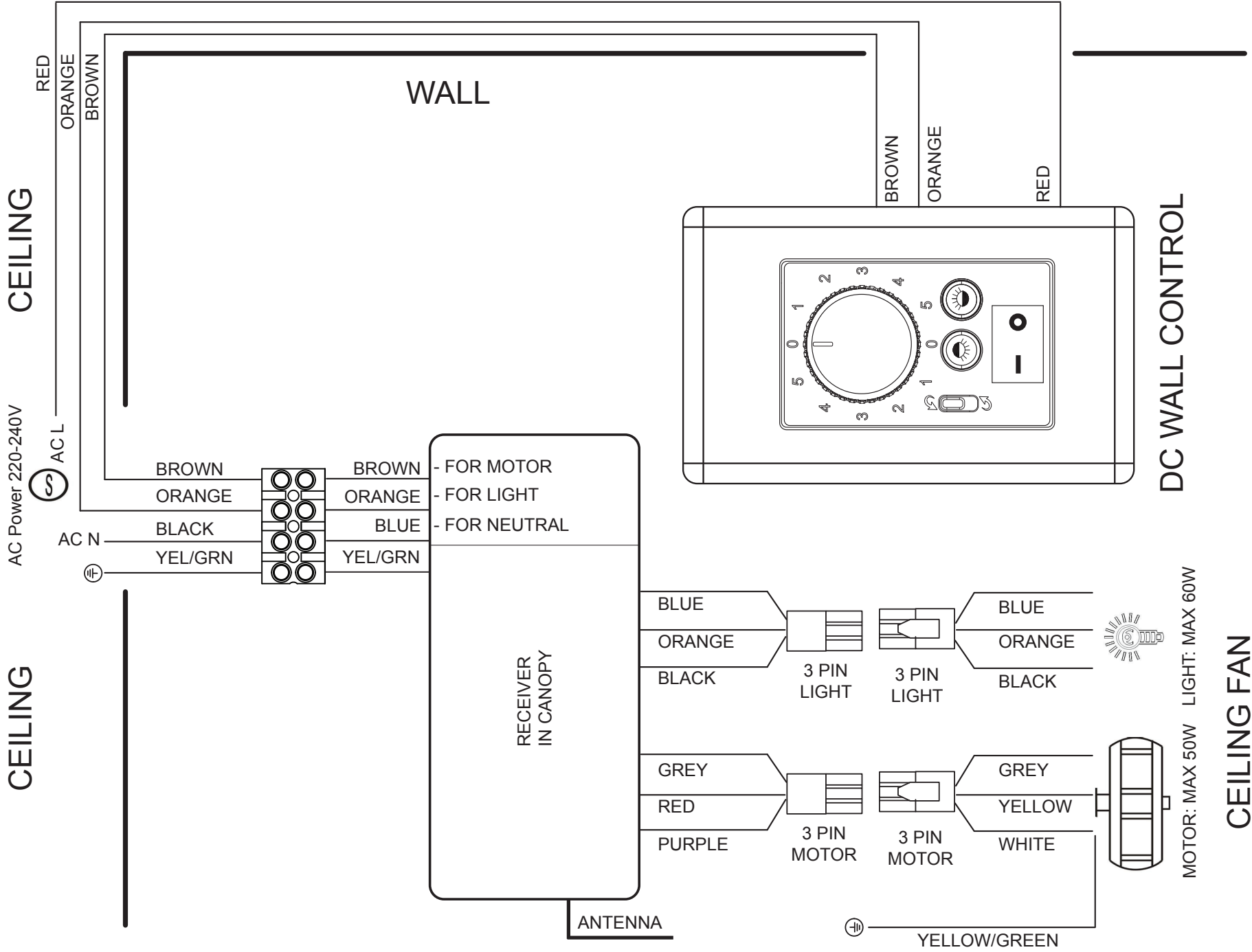
Instructions for installing a DC Wall Control with the Ambience DC Ceiling Fan.

NOTE: The DC Wall Control unit completely replaces the remote control handset and receiver that is included with your DC ceiling fan. The DC Wall Control kit includes the Wall Control module and also a Wall Control receiver to be installed in the ceiling fan's canopy.



IMPORTANT: This accessory must be installed by a licensed electrician, and all electricity must be turned off at the fuse box prior to installing this accessory. Refer to the Ceiling Fan's Owner's Manual for full safety and warning information.

Wiring Diagram for Receiver & Wall Control



IMPORTANT: PLEASE READ TO AVOID INSTALLATION ISSUES

Each DC Wall Controller is designed for a specific model of DC ceiling fan. Ensure that the DC Wall Control being installed is correctly matched to the DC ceiling fan being used. The DC Wall Controller **CAN NOT** be used to operate multiple fans.

IMPORTANT: The supply active wire needs to be switched through this device as an isolation switch. The neutral and earth supply wires can remain in the ceiling. However, the active household supply wire (AC L - RED) needs to go through the wall control unit and returned to the fan motor (BROWN wire).

For the operation of a fan light, another wire needs to run between this wall controller and the receiver as per the wiring diagram. For the fan light to operate correctly (on/off and colour changing) all earth wires from the motor and receiver need to be connected to the house earth.

PREPARATION: The DC Wall Control Receiver comes pre-wired into a 4-pole terminal block. The hanger bracket that comes with the ceiling fan includes a 3-pole terminal block. The Earth wire attached to the hanger bracket (combined and wired into the 3-pole terminal block) needs to be retained. Loosen the Earth wires in the 3-pole terminal block and detach the hanger bracket Earth wire. The 3-pole terminal block can now be removed from the hanger bracket by removing the two screws.

OPTIONAL: You can use these two screws to attach the 4-pole terminal block to the hanger bracket once mounted, or the 4-pole terminal block can be left to float.

Installing & Wiring Receiver and Wall Control

Refer to the **Wiring Diagram for Receiver & Wall Control** on **Page 2**.

Active L (RED) wire from the ceiling must be run to the wall and wired into the Wall Control unit, with the **Brown (MOTOR)** and **Orange (LIGHT)** wires from the Wall Control returned to the receiver located in the top of the fan.

Cut a hole in the wall at the desired wall controller position. Run the **Household Active L (RED)** wire from the ceiling down to the wall mounting point. Connect the **RED** wire from the Wall Control unit to the **AC Live (RED)** wire from Household Supply inside the wall cavity.

The INPUT (Household Supply) side of the RECEIVER has four wires pre-wired into a TERMINAL BLOCK. Run wiring from the Wall Control **BROWN (MOTOR)** and **ORANGE (LIGHT)** wires from the wall up to the ceiling.

Connect the **Fan Motor (BROWN)** wire from the Wall Control unit to the **Fan Motor (BROWN)** wire from the Receiver unit. Connect the **Fan Light (ORANGE)** wire from the Wall Control unit to the **Fan Light (ORANGE)** wire from the receiver. Connect the **AC Neutral (BLACK)** wire from the Household Supply to the **Neutral (BLUE)** wire from the Receiver unit.

Connect the 3-pin Motor Plug coming from the Fan Motor (**GREY/YELLOW/WHITE** wires) to the 3-pin connection on the Receiver (**GREY/RED/PURPLE** wires).

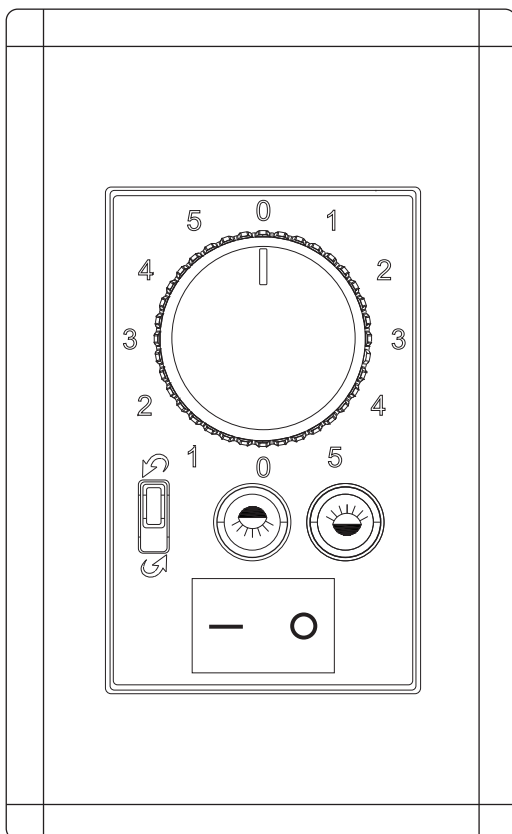
Connect the 3-pin Light Plug coming from the Fan Motor (**BLUE/ORANGE/BLACK** wires) to the 3-pin connection on the Receiver (**BLUE/ORANGE/BLACK** wires).

Combine **EARTH wires** from the Fan Motor, Hanger Bracket and Receiver unit (**YELLOW/GREEN** wires) and connect to the House Earth (**YELLOW/GREEN** wires) via the TERMINAL BLOCK.

IMPORTANT: WIRING CHANGES WHEN USING AN ACCESSORY DOWNROD

When using an accessory downrod, the downrod includes 3-pin wiring looms for both the motor and light (if being used). The colours of these wires will vary from the diagram on Page 2.

Operating your DC Wall Control



0

Fan Off Setting

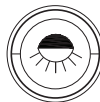
1-5

Fan Speed: Number 5 is the highest speed and Number 1 is the lowest.

Turning knob left or right offers same function.



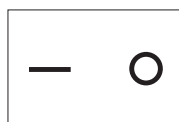
Summer/Winter Reverse button.
Slide to change fan direction.



Downlight On/Off: Turn the Fan's
Downlight On and Off.
Dimming not supported.



Uplight On/Off: Turn the Fan's
Uplight On and Off.
Dimming not supported.



Isolation Switch: Used to isolate all
power to fan.