



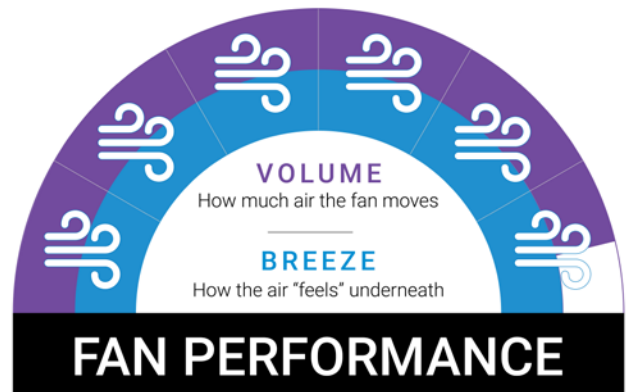
High performance cooling with an industrial design

152cm (60")
Blade span

214
RPM

77 W
Energy usage

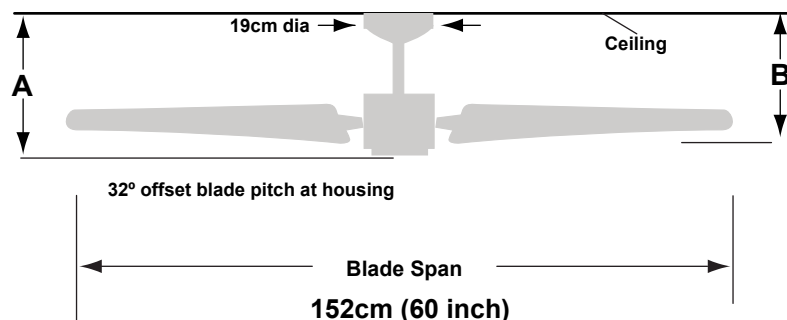
- + High performance 188 x 15mm, 16-pole motor designed for powerful cooling
- + Crafted from polypropylene (a high grade plastic), the Loft's blades are chemical-resistant, easy to clean and quieter than metal blades
- + 152 cm (60") blade span with 32° offset blade pitch, each blade is balanced to within one gram for wobble-free operation
- + Patented all-weather aerodynamic, high efficiency blade design ensures powerful airflow



FAN PERFORMANCE	
Fan Speed (H/M/L)	214 RPM
Energy usage (H/M/L)	77 W
Airflow volume (H/M/L)	12,790 m ³ / hr
Efficiency (H/M/L)	166 m ³ / hr / W

The Fan Performance Rating is a guide to show customer's how much air the fan moves as well as how the airflow "feels" when you stand underneath. This is a guide only. Refer to our website for more information.

For ceilings	Downrod 21mm dia	A	B
2.4m – 3m	15 cm (6 inch)	33 cm	33 cm
3m – 4m	90 cm (36 inch)	111 cm	111 cm
4m – 5.5m	180 cm (72 inch)	201 cm	201 cm



Net hanging weight: 7.6 kg

THREE YEAR | **ONSITE WARRANTY**

Fan finish



Brushed Steel

High quality, carbon stamped steel fan housing and ceiling canopy in Brushed Steel with matching all-weather blades



Appliance White

High quality, carbon stamped steel fan housing and ceiling canopy in Appliance White with matching all-weather blades

Location

Suitable for indoor use only

Suitable for indoor use only

Motor

- High performance 188 x 15mm, 16-pole motor designed for powerful cooling and high RPMs
- Vertical and horizontal motor balancing minimizes fan wobble
- High performance and efficient operation

- Motor is hot varnished for longer life and the stator is pre-heated to ensure an evenly insulated motor
- High quality, shielded stainless bearings and precision copper wire for smooth, quiet operation

Blades & Span

- 152cm (60") blade span with a 32° offset blade pitch at housing for optimal airflow/efficiency
- Patented all-weather aerodynamic, high efficiency airfoil blade design ensures impressive airflow

- Blades are moulded from a chemical-resistant high-grade polymer to help endure the elements
- All blades are balanced to within one gram for wobble-free operation

Mounting

- Hanging ball and bracket made from die-cast zinc for durable wear allows up to 30° slope
- Extra safe, triple-locking unthreaded downrod system

- For sloped ceilings over 30°, sloped ceiling kit [SCB52] and longer downrods available

	Brushed Steel	Appliance White
90cm (36 inch)	CFDR3BS	CFDR3WW
180cm (72 inch)	CFDR6BS	CFDR6WW

Controls

Wall Control



INCLUDED

Three-speed wall control (without face plate) for basic fan operation

Remote Controls



RC4

Three-speed remote control (fan and light) with optional dimmer



RC9

fanSync Bluetooth remote control (fan and light) with dimming