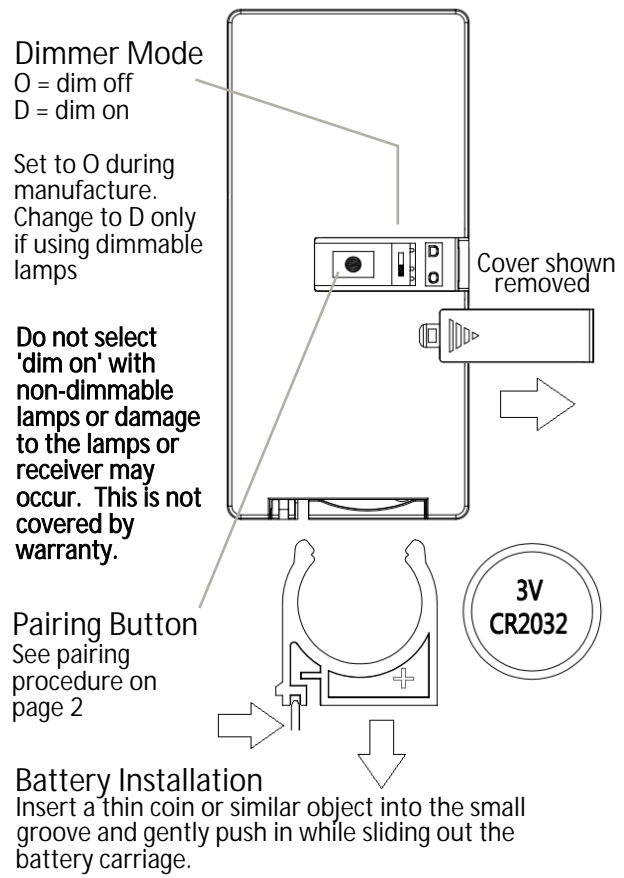
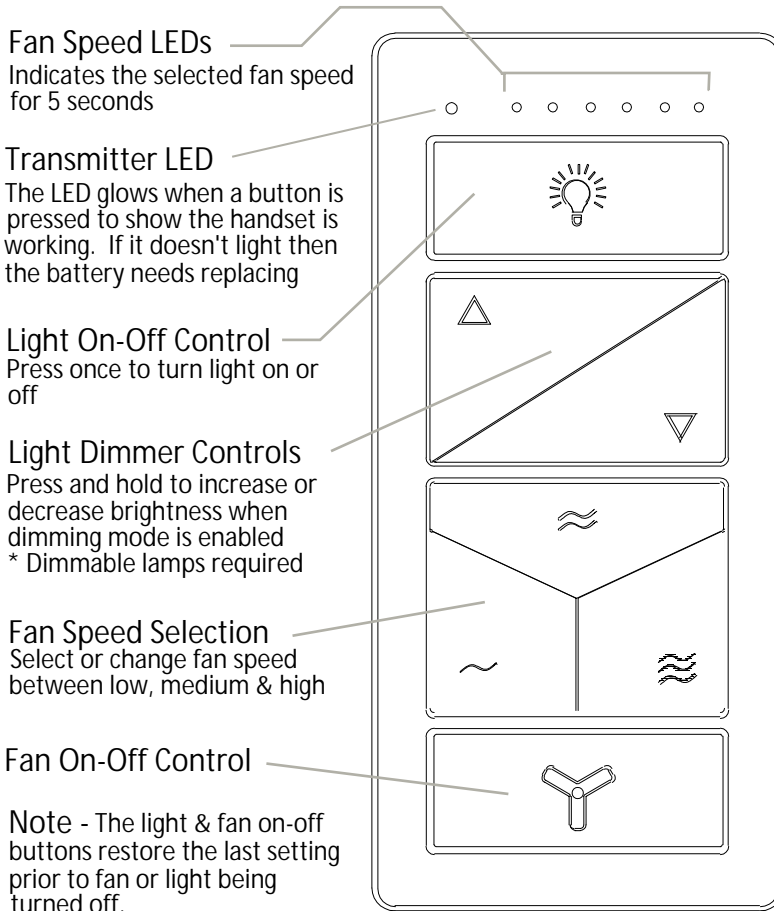


The ThreeSixty Mi-Remote is a simple to operate 3 speed remote control system for your ceiling fan and associated light.



Specifications

Tips for best results

Handset	Wall Bracket
Height 77 mm	Height 115 mm
Width 36 mm	Width 70 mm
Battery 1 x 2032 3V	Drill centres 84 mm
Freq: 433 MHz	Screw size M3 pan head
RF Power: 10uW EIRP	

Receiver

Input	230-250V~ 50 Hz 250W 55°C Max (T _a)
Outputs	100W AC motor fan (max)
	100W max - incandescent lamps
	40W max - LED lamps

Coin Cell Battery Warning
This product uses coin cells, also known as button batteries, which can be harmful or fatal if ingested. Should the handset battery compartment become damaged immediately remove the battery and place it out of reach of children.

Immediately and safely dispose of old batteries and never place any coin/button batteries in reach of children.

Replace damaged handsets. Call ThreeSixty on 1300 469 326

Never select 'Dim on' when using non-dimmable lamps because the lamps and receiver may be damaged. This is not covered by warranty.

Dimmable lamps are marked with

Power to Mi-Remote must come via a wall switch located in the room where the fan is installed. Being able to turn off the power will help prevent surge damage and allow easy reprogramming.

The wall switch also turns on the light for up to 3 hours in case the handset is lost.

The handset is intended for short range use in a medium sized room. Occasionally the handset may need to be moved to a better location to ensure a clean signal is received. Repeated poor performance may be a sign of a weak battery or interference from other RF devices.



Coin Cell



E7054



Dimmable



433 MHz

TWELVE MONTH | ONSITE WARRANTY

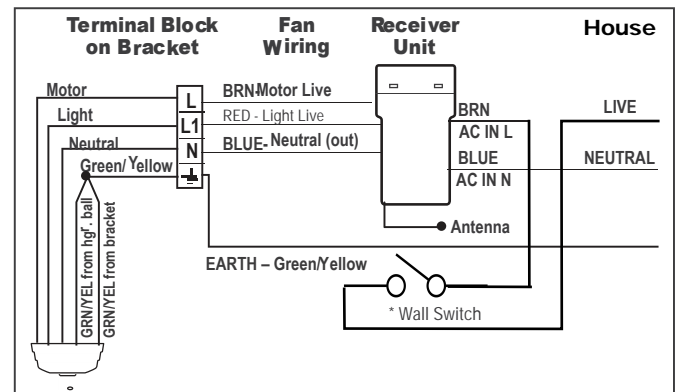
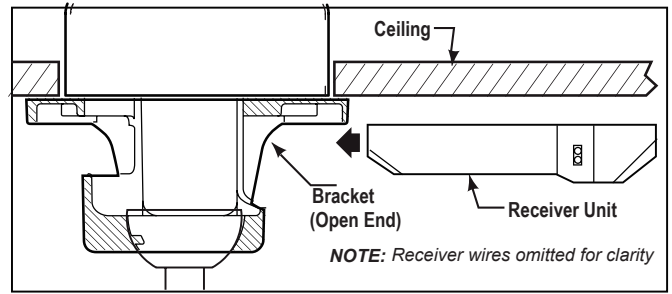


The Mi-Remote receiver must be installed in the ceiling canopy of an AC motor ceiling fan. Do not install where moisture can affect the unit. Do not install in the roof or crawl space above the ceiling.

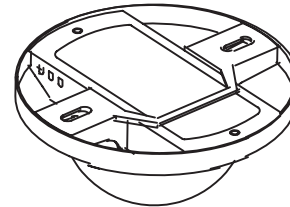
An isolation switch (wall switch) is mandatory.

Installation Procedure

- Verify the receiver will fit inside the ceiling canopy. If not it must be installed in a separate enclosure that is suitably rated for both electrical insulation and fire prevention. Do not install where the ambient temperature will exceed 40°C.
- Install the wall switch (isolation switch). Power must be obtained via an RCD and preferably from a surge protected circuit.
- Connect the receiver as shown.
- Carefully position within the bracket and canopy. Verify all wiring is neat, insulated and not trapped between the receiver and down rod (there must be a gap to allow movement of the ball).
- The antenna wire should be kept within the canopy (not visible) but not bunched with other wires.
- Refit the fan canopy ensuring any earth connections and spacers or washers are correctly replaced.



* An isolation switch must be fitted to comply with the Wiring Rules and to allow power to be removed by the user in case of a product fault.



Correctly mounted receiver module.

After installation verify Mi-Remote functions correctly. If it does not work check the wiring is supplying full voltage across the incoming brown and blue wires at the receiver. If still not working check the handset battery is OK (the transmitter LED is on when pushing a button on the handset). If still not working try the receiver-handset pairing procedure below.

Pairing Procedure

The receiver and handset are already paired when delivered. If for some reason they aren't, or a new handset has to be matched to an existing receiver, do the following:

1. Turn off power at the wall switch for at least 30 seconds.
2. Remove the small sliding cover from the back of the handset.
3. Turn on the wall switch and wait 5 seconds.
4. Within 20 secs press the button inside the handset, located under the small sliding cover.

NOTE: This will erase and replace any previously paired handsets.

Warranty Factors

ThreeSixty provide a 12 month on-site warranty for the receiver. Incorrect installation, neglect accidents, damage and power quality issues will not be covered by this warranty.

ThreeSixty Innovations Warranty & Technical Support 1300 4MY FAN (1300 469 326)