

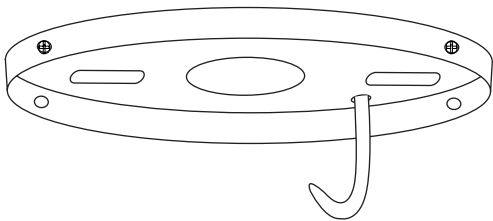
ThreeSixty

C E I L I N G F A N S

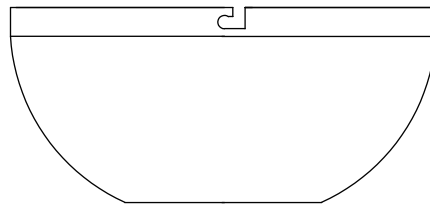
Sloped Ceiling Kit: SC45-XX

Supports fans with 26mm downrods only - with or without receivers.

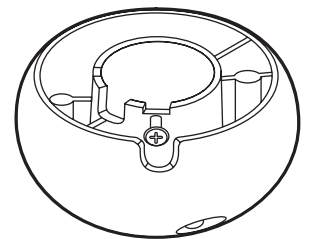
This accessory can be used on ceiling fans with 26mm downrods and supports angles up to 45° depending on the model and whether a remote receiver unit is installed. Ceiling fans that use remote receivers will sometimes reduce the angle in some ceiling fans.



Mounting Plate



Canopy



Hanger Ball

NOTE: Depending on the degree of the ceiling slope, ensure the ceiling fan has sufficient drop from the roof to avoid the blades hitting the ceiling. Install the longer Downrod (ensuring sufficient wiring and/or wiring looms to go through the Downrod) and then follow the instructions of this Sloped Ceiling Kit Accessory.



**MUST BE INSTALLED
BY A LICENSED
ELECTRICIAN**

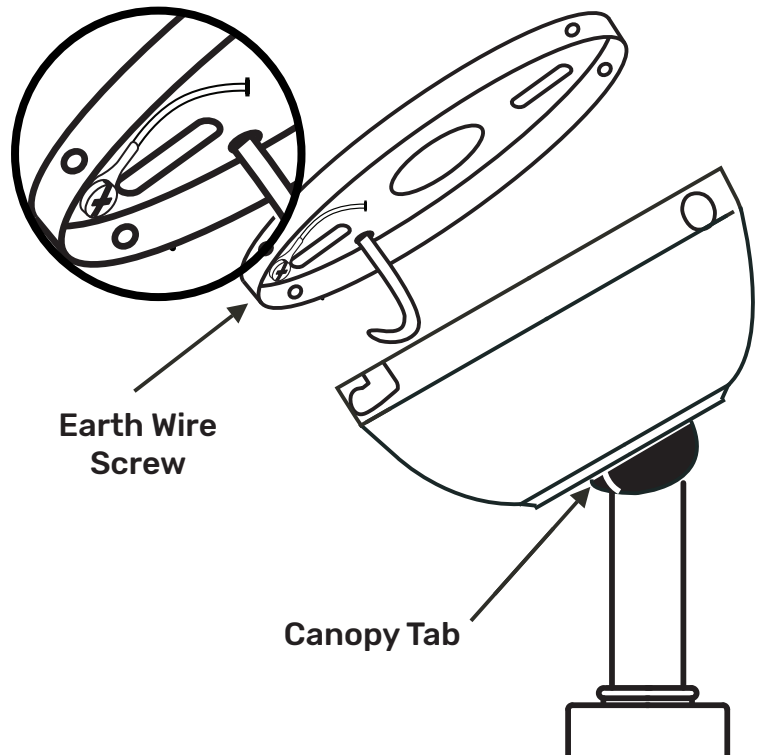
IMPORTANT: This accessory must be installed by a licensed electrician, and all electricity must be turned off at the fuse box prior to installing this accessory. Refer to the Ceiling Fan's Owner's Manual for full safety and warning information.

IMPORTANT! PLEASE READ TO AVOID INSTALLATION ISSUES!

Inside of the Sloped Ceiling Canopy there is a small Tab. In order for this Sloped Ceiling Kit to work the Mounting Plate, Canopy and Hanger Ball must all align so that the Canopy (when fitted to the Mounting Plate) has the Tab at the LOWEST point on the sloping ceiling.

1. Locate the **Earth Wire Screw** on the Mounting Plate - this must be installed so that the Earth Wire Screw is positioned at the lowest point of the ceiling slope.
2. Locate the **Canopy Tab** inside the Ceiling Canopy. When attached to the Mounting Plate, the Canopy Tab must be at the lowest point in the ceiling slope.
3. The Hanger Ball Keyway will lock into the Canopy Tab, and must be facing towards the lowest point of the ceiling slope.

NOTE: Installing the Mounting Plate properly will ensure the Canopy Tab can be mounted in the correct position.

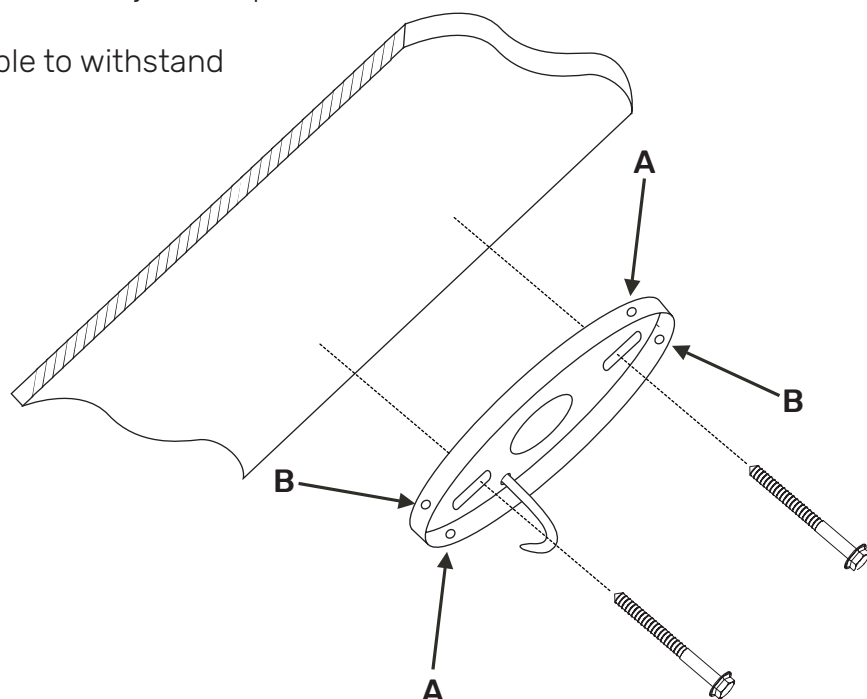


1. Install the Sloped Ceiling Mounting Plate

Drill a hole in the ceiling board and batten for wiring. Securely attach the Mounting Plate to a timber batten or other structural support using the two wood screws provided with your ceiling fan. Fixings must be screwed into a joist and not just the plasterboard.

IMPORTANT: Fixing location must be able to withstand four times the static weight of the fan.

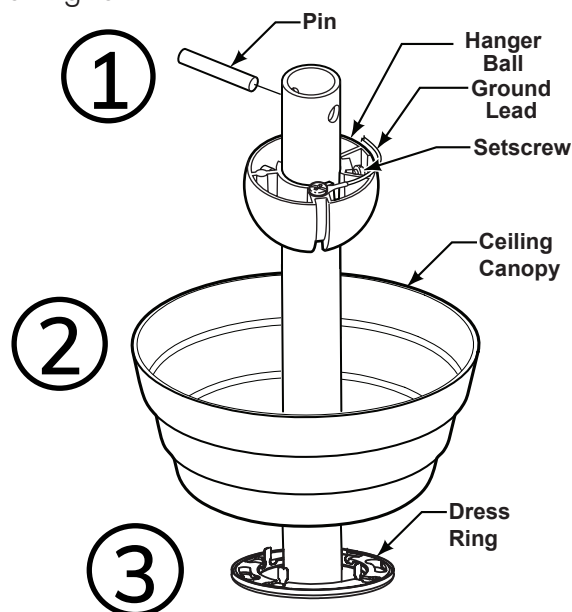
- A. Remove the two canopy mounting screws located 180 degrees apart on the outside edge of the Mounting Plate.
- B. Loosen the two remaining screws for the Canopy Mating Slots. This will make installation of the canopy easier.



2. Remove Hanger Ball, Ceiling Canopy & Dress Ring

This Sloped Ceiling Kit replaces the ceiling fan's supplied Hanger Ball, Ceiling Canopy and Dress Ring, so these parts must be removed from the ceiling fan.

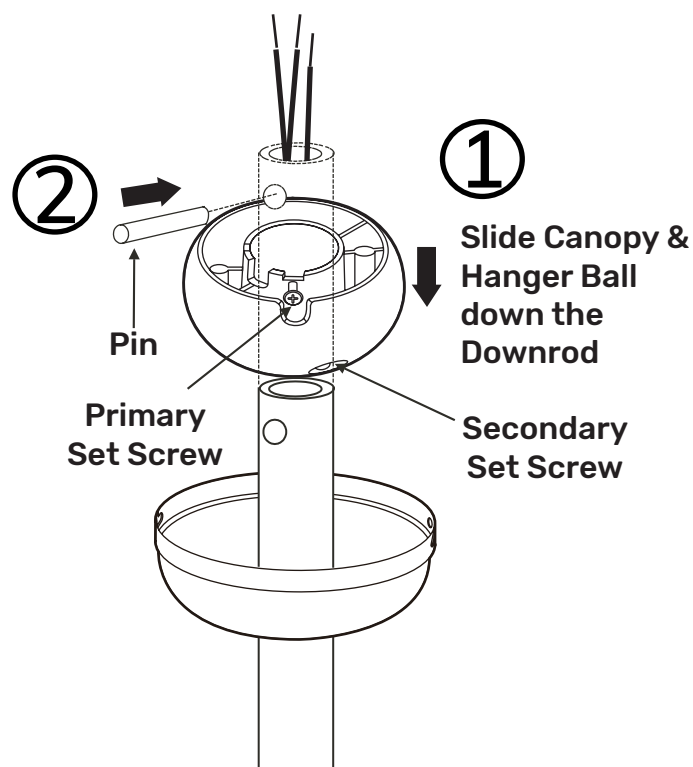
1. Remove the Hanger Ball by loosening the setscrew until the ball falls freely down the Downrod. Remove the Pin from the Downrod, then remove the Hanger Ball.
2. Remove the Ceiling Canopy.
3. Remove the Dress Ring.



3. Add the Sloped Ceiling Kit Hanger Ball & Ceiling Canopy

Slide Ceiling Canopy over the Downrod and then install the Sloped Ceiling Hanger Ball.

1. Slide the Sloped Ceiling Kit Ceiling Canopy over the ceiling fan's Downrod (threading through the wires). Install the Sloped Ceiling Kit Hanger Ball by routing the wires through the ball and then sliding the Hanger Ball down the Downrod.
2. Insert the Hanger Ball Pin through the two holes in the Downrod and align the Hanger Ball so the Pin is captured in the groove in the top of the Hanger Ball. Pull the Hanger Ball up tight against the Pin and then securely tighten the primary and secondary setscrews in the Hanger Ball.



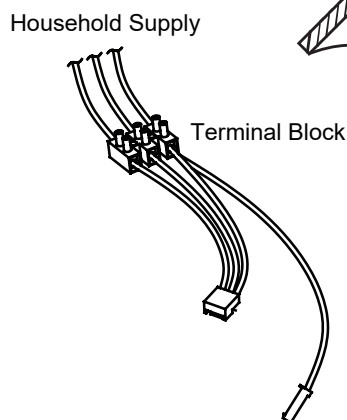
4. Temporarily hang the fan onto the mounting hook

Carefully lift the assembled fan and temporarily hang the Canopy on the Mounting Plate Hook using one of the two mating holes.

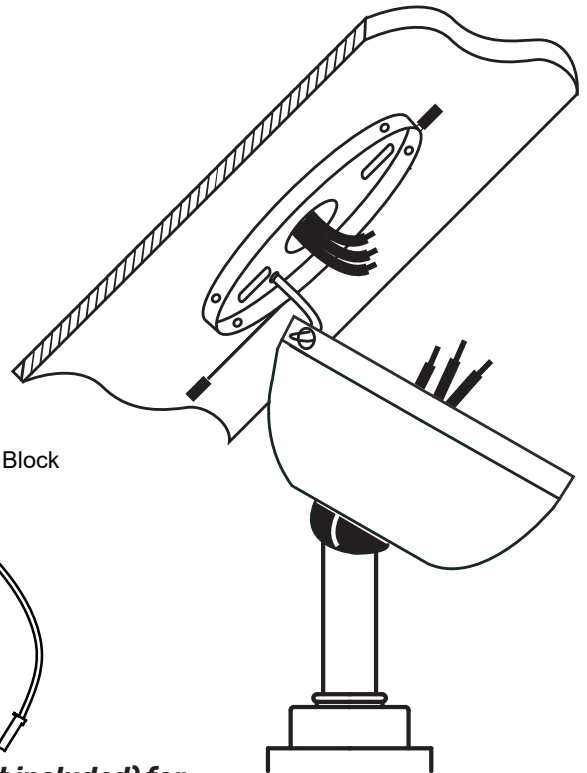
This will allow you to complete all wiring as per the Ceiling Fan's Owner's Manual without having to bear the weight of the ceiling fan.

IMPORTANT: Many 360fans have ceiling hanger brackets with a Terminal Block for AC Household Supply and pre-wired plugs to connect to the fan and/or receiver.

We recommend removing the Terminal Block and wiring from the Ceiling Fan's included Hanger Bracket and using these to complete the wiring within the Sloped Ceiling Canopy.



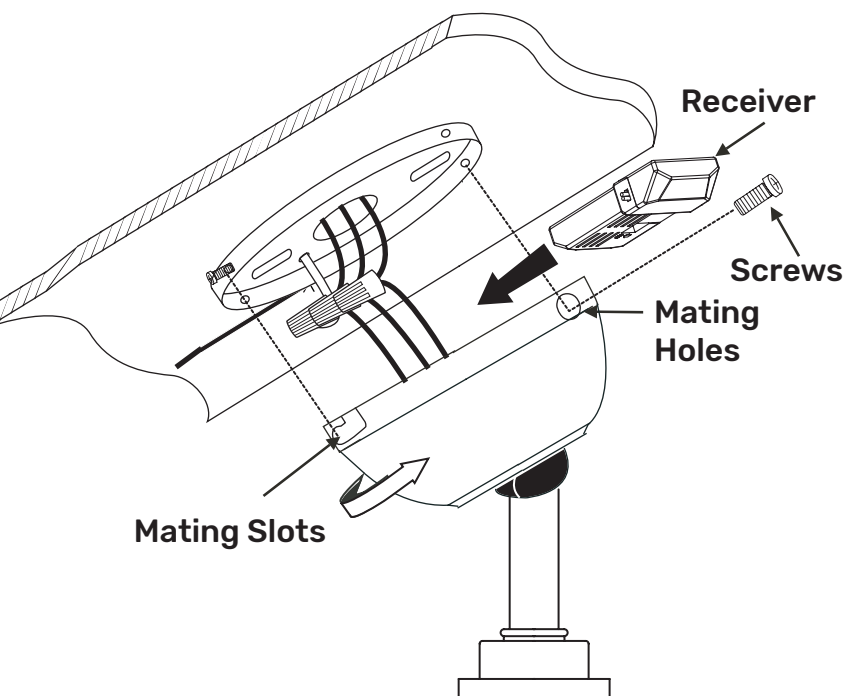
Example wiring (not included) for illustrative purposes only.



5. Securely attach the Canopy to the Mounting Plate

IMPORTANT: Ensure all wiring has been completed as per the Ceiling Fan Owner's Manual before installing the Ceiling Canopy.

IMPORTANT: Slide the remote receiver (flat side on top) into the ceiling canopy.



1. Carefully lift the fan from the Mounting Plate Hook, making sure not to break any wiring connections.
2. The Canopy has 2 mating slots and 2 mating holes. Position the two Mating Slots under and in line with the 2 Mounting Plate screws that were loosened in Step 1(B).
3. Lift the fan until Mounting Plate Screws are seated in bottom of slots in Canopy.
4. Rotate the Canopy clockwise until both Mounting Screws drop into Mating Slot recesses.
5. Tighten the 2 Mounting Screws securely.
6. Install the third and fourth screws into the two Mating Holes and tighten securely.